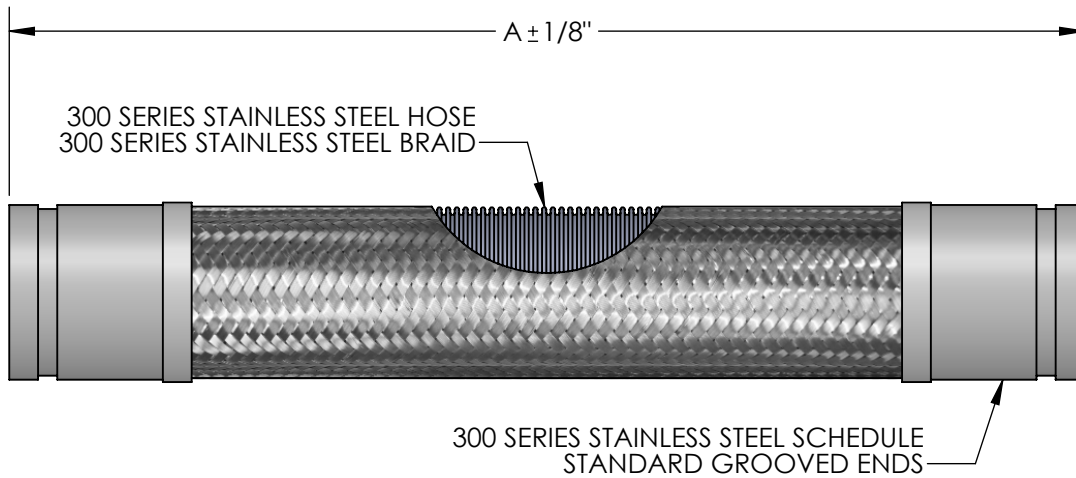


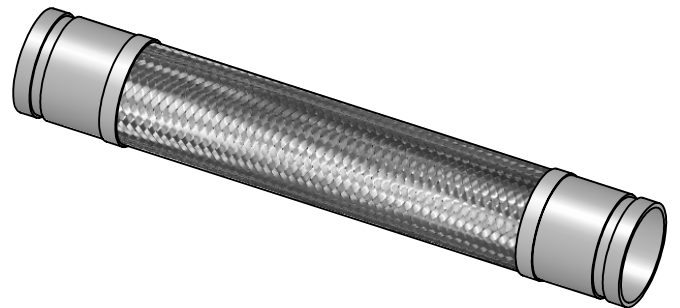
MODEL FSUGSS60
GROOVED FLEXIBLE CONNECTOR
±60" MOVEMENT



QTY	PART NUMBER	PIPE SIZE	A	BRAID	PRESSURE RATING (PSI)*	INTERMITTENT LATERAL OFFSET
	FSUGSS600100	1"	93"	SINGLE	300	± 60"
	FSUGSS600125	1-1/4"	96"	SINGLE	300	± 60"
	FSUGSS600150	1-1/2"	101"	SINGLE	300	± 60"
	FSUGSS600200	2"	107"	SINGLE	300	± 60"
	FSUGSS600250	2-1/2"	117"	SINGLE	300	± 60"
	FSUGSS600300	3"	120"	DOUBLE	300	± 60"
	FSUGSS600400	4"	148"	DOUBLE	300	± 60"
	FSUGSS600500	5"	137"	DOUBLE	300	± 60"
	FSUGSS600600	6"	159"	DOUBLE	300	± 60"
	FSUGSS600800	8"	150"	DOUBLE	175	± 60"
	FSUGSS601000	10"	163"	DOUBLE	175	± 60"
	FSUGSS601200	12"	175"	DOUBLE	175	± 60"

SUITABLE FOR USE IN DRY PIPE SYSTEMS
 TEMPERATURES TO -40°F

NOTE: 4", 5", & 6" SIZES RATED FOR HIGH-PRESSURE



NSF 372 - LEAD FREE

The wetted surface of this product contacted by consumable water contains less than one quarter of one percent (0.25%) of lead by weight. Material complies with state codes and standards, where applicable, requiring reduced lead content.

CUSTOMER: _____

PROJECT: _____

ENGINEER: _____

REV.	DATE
2323 W. HUBBARD ST. CHICAGO, IL 60612 TEL: 312-738-3800 FAX: 312-738-0415 WWW.METRAFLEX.COM	
MODEL FSUGSS60 UL LISTED GROOVED FLEXIBLE CONNECTOR 300 SERIES STAINLESS STEEL GROOVED ENDS, ±60" MOVEMENT	
DRAWN BY: JIMA	DATE: 2/11/2022
APPROVED:	DATE:
SCALE: N/A	DRAWING NUMBER: FSUGSS60