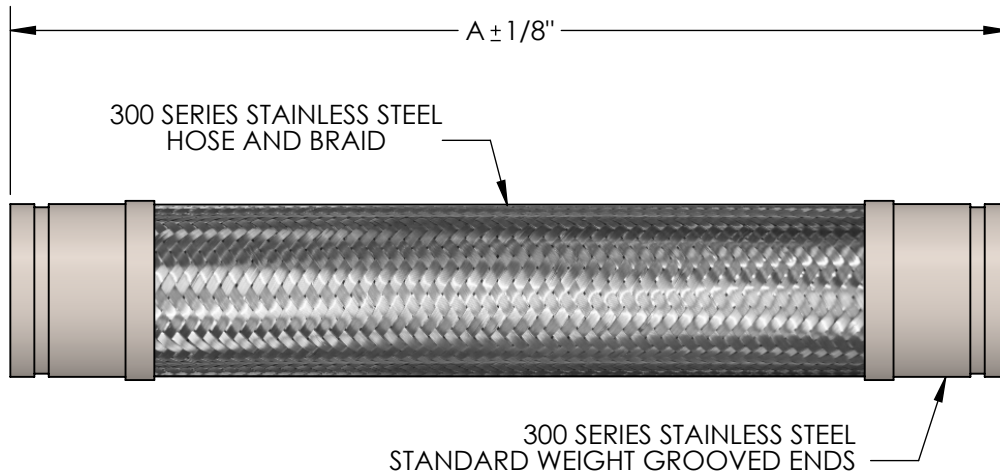


MODEL FSUGSS48
GROOVED FLEXIBLE CONNECTOR
±48" MOVEMENT

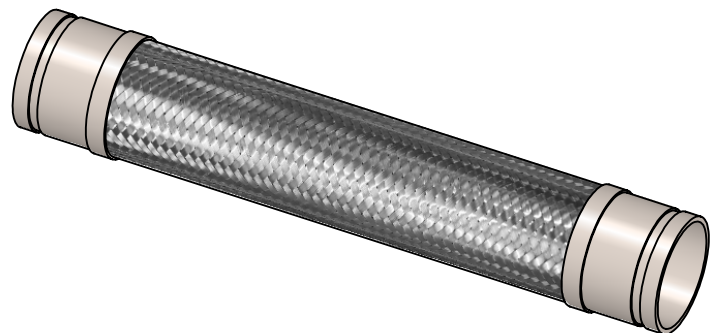


FOR FIRE
 SPRINKLER
 SYSTEMS

QTY	PART NUMBER	PIPE SIZE	A	BRAID	PRESSURE RATING (PSI)*	INTERMITTENT LATERAL OFFSET
	FSUGSS480100	1"	80"	SINGLE	300	±48"
	FSUGSS480120	1-1/4"	83"	SINGLE	300	±48"
	FSUGSS480150	1-1/2"	87"	SINGLE	300	±48"
	FSUGSS480200	2"	93"	SINGLE	300	±48"
	FSUGSS480250	2-1/2"	102"	SINGLE	300	±48"
	FSUGSS480300	3"	105"	DOUBLE	300	±48"
	FSUGSS480400	4"	131"	DOUBLE	300	±48"
	FSUGSS480500	5"	121"	DOUBLE	300	±48"
	FSUGSS480600	6"	141"	DOUBLE	300	±48"
	FSUGSS480800	8"	133"	DOUBLE	175	±48"
	FSUGSS481000	10"	145"	DOUBLE	175	±48"
	FSUGSS481200	12"	156"	DOUBLE	175	±48"

SUITABLE FOR USE IN DRY PIPE SYSTEMS
 TEMPERATURES TO -40°F

NOTE: 4", 5", & 6" EQUIPPED WITH
 HIGH PRESSURE HOSE AND BRAID



NSF 372 - LEAD FREE

The wetted surface of this product contacted by consumable water contains less than one quarter of one percent (0.25%) of lead by weight. Material complies with state codes and standards, where applicable, requiring reduced lead content.

CUSTOMER: _____

PROJECT: _____

ENGINEER: _____

REV.	DATE
2323 W. HUBBARD ST. CHICAGO, IL 60612 TEL: 312-738-3800 FAX: 312-738-0415 WWW.METRAFLEX.COM	
MODEL FSUGSS48 UL LISTED GROOVED FLEXIBLE CONNECTOR FOR FIRE PROTECTION, ±48" MOVEMENT, STAINLESS STEEL	
DRAWN BY: JIMA	DATE: 7/29/2021
APPROVED:	DATE:
SCALE: N/A	DRAWING NUMBER: FSUGSS48