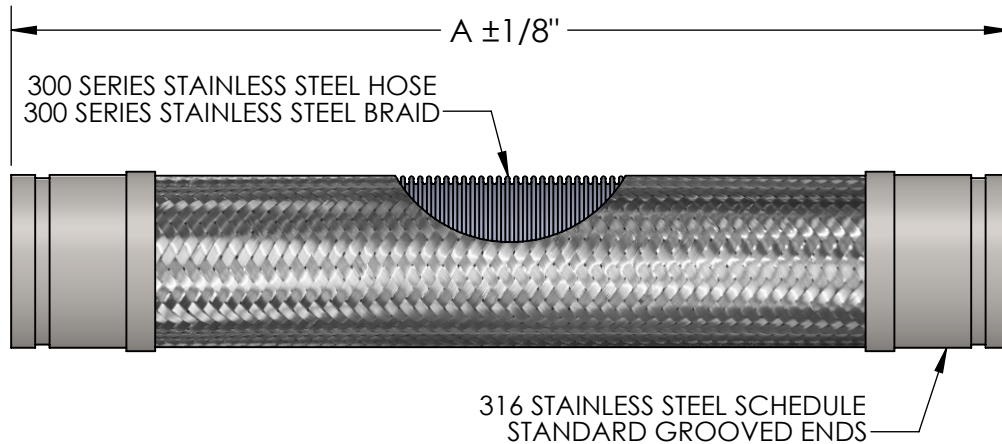


**MODEL GLPULSS  
GROOVED FLEXIBLE PUMP CONNECTOR**

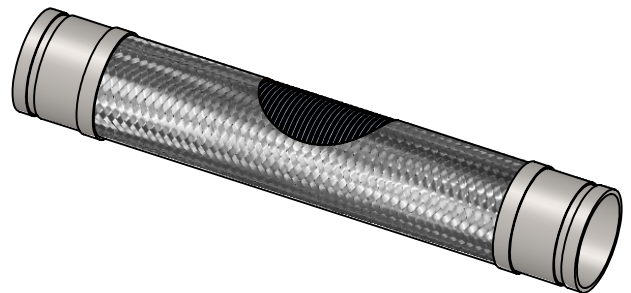


QTY	PART NUMBER	PIPE SIZE	A	BRAID	PRESSURE RATING (PSI)*	INTERMITTENT LATERAL OFFSET
	GLPULSS0100	1"	14"	SINGLE	300	3/4"
	GLPULSS0125	1-1/4"	15"	SINGLE	300	3/4"
	GLPULSS0150	1-1/2"	16"	SINGLE	300	3/4"
	GLPULSS0200	2"	17"	SINGLE	300	3/4"
	GLPULSS0250	2-1/2"	18"	SINGLE	300	3/4"
	GLPULSS0300	3"	19"	DOUBLE	300	3/4"
	GLPULSS0400	4"	20"	DOUBLE	300	3/4"
	GLPULSS0500	5"	21"	DOUBLE	300	3/4"
	GLPULSS0600	6"	22"	DOUBLE	300	3/4"
	GLPULSS0800	8"	25"	DOUBLE	175	3/4"
	GLPULSS1000	10"	26"	DOUBLE	175	3/4"
	GLPULSS1200	12"	28"	DOUBLE	175	3/4"

SUITABLE FOR USE IN DRY PIPE SYSTEMS  
TEMPERATURES TO -40°F.

MAX INTERMITTENT OFFSET FROM CENTERLINE 1/8"  
MAX PERMANENT OFFSET FROM CENTERLINE 3/8"

NOTE: 4", 5", & 6" SIZES RATED FOR HIGH-PRESSURE




**NSF 372 - LEAD FREE**

The wetted surface of this product contacted by consumable water contains less than one quarter of one percent (0.25%) of lead by weight. Material complies with state codes and standards, where applicable, requiring reduced lead content.

CUSTOMER: \_\_\_\_\_

PROJECT: \_\_\_\_\_

ENGINEER: \_\_\_\_\_

REV.	DATE
	
2323 W. HUBBARD ST. CHICAGO, IL 60612 TEL: 312-738-3800 FAX: 312-738-0415 WWW.METRAFLEX.COM	
<b>MODEL GLPULSS</b> UL LISTED GROOVED FLEXIBLE PUMP CONNECTOR FOR FIRE PROTECTION	
DRAWN BY: <b>JIMA</b>	DATE: <b>11/11/2021</b>
APPROVED:	DATE:
SCALE: <b>N/A</b>	DRAWING NUMBER: <b>GLPULSS</b>