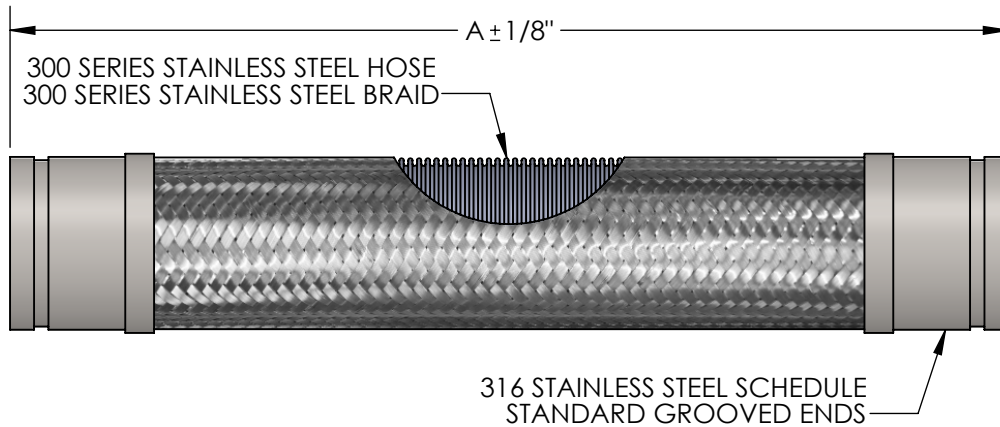


**MODEL GGULSS
GROOVED FLEXIBLE PUMP CONNECTOR**

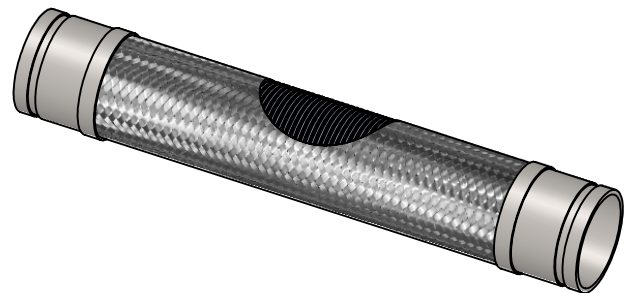


QTY	PART NUMBER	PIPE SIZE	A	BRAID	PRESSURE RATING (PSI)*	INTERMITTENT LATERAL OFFSET
	GGULSS0100	1"	10"	SINGLE	300	1/8"
	GGULSS0125	1-1/4"	10"	SINGLE	300	1/8"
	GGULSS0150	1-1/2"	11"	SINGLE	300	1/8"
	GGULSS0200	2"	12"	SINGLE	300	1/8"
	GGULSS0250	2-1/2"	14"	SINGLE	300	1/8"
	GGULSS0300	3"	14"	DOUBLE	300	1/8"
	GGULSS0400	4"	16"	DOUBLE	300	1/8"
	GGULSS0500	5"	17"	DOUBLE	300	1/8"
	GGULSS0600	6"	18"	DOUBLE	300	1/8"
	GGULSS0800	8"	20"	DOUBLE	175	1/8"
	GGULSS1000	10"	24"	DOUBLE	175	1/8"
	GGULSS1200	12"	25"	DOUBLE	175	1/8"

SUITABLE FOR USE IN DRY PIPE SYSTEMS
TEMPERATURES TO -40°F.

NOTE: 4", 5", & 6" SIZES RATED FOR HIGH-PRESSURE

MAX INTERMITTENT OFFSET FROM CENTERLINE 1/8"
MAX PERMANENT OFFSET FROM CENTERLINE 3/8"




NSF 372 - LEAD FREE

The wetted surface of this product contacted by consumable water contains less than one quarter of one percent (0.25%) of lead by weight. Material complies with state codes and standards, where applicable, requiring reduced lead content.

CUSTOMER: _____

PROJECT: _____

ENGINEER: _____

REV.	DATE
	
2323 W. HUBBARD ST. CHICAGO, IL 60612 TEL: 312-738-3800 FAX: 312-738-0415 WWW.METRAFLEX.COM	
MODEL GGULSS UL LISTED GROOVED FLEXIBLE PUMP CONNECTOR FOR FIRE PROTECTION	
DRAWN BY: JIMA	DATE: 11/11/2021
APPROVED:	DATE:
SCALE: N/A	DRAWING NUMBER: GGULSS