

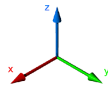
MATERIAL:  
 BELLOWS - MULTI-PLY STAINLESS STEEL  
 FLEXIBLE CAPSULE - STAINLESS STEEL  
 OTHER PARTS - CARBON STEEL

Qty.	Part Number	Size (in)	A (in)	B (in)	C (in)	Anchor load (lbs)
	GIL04GFM0200	2	60-5/8	5-1/2	6-1/2	4201
	GIL04GFM0250	2-1/2	58-7/8	5-1/2	7-1/2	4201
	GIL04GFM0300	3	64-5/8	6-1/2	7-1/2	6836
	GIL04GFM0400	4	64-3/8	8-1/2	9-1/2	10274
	GIL04GFM0500	5	68-3/4	10-3/4	9-1/2	13140
	GIL04GFM0600	6	74-5/8	12-3/4	11-3/4	16565
	GIL04GFM0800	8	79-3/4	14	13-3/4	24638

DESIGN DATA:

TEMP. 70°F. (21°C.)  
 PRESS. 175 PSI (1206 KPa)  
 TEST PRESS. 262.5 PSI (1810 KPa)

MOVEMENT 4" (100mm) ALL DIRECTIONS

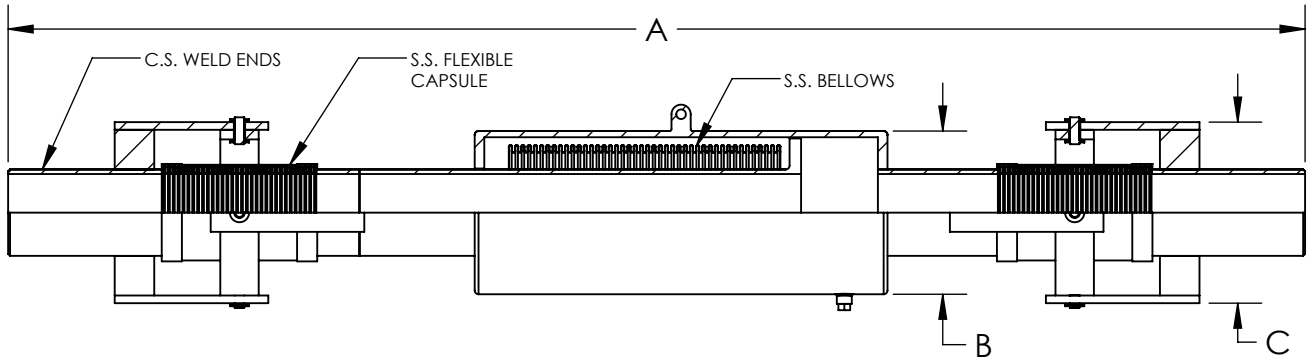
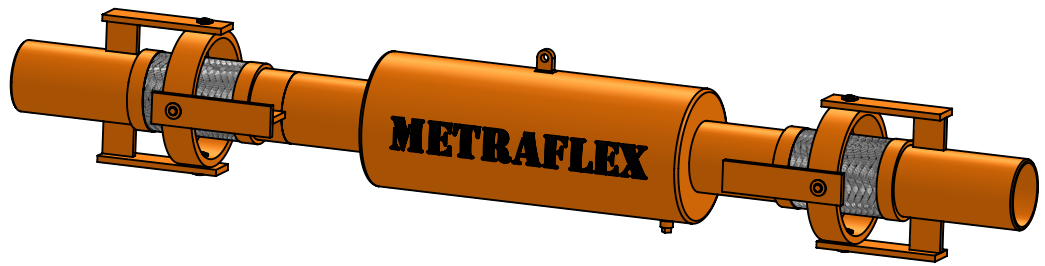


CUSTOMER: \_\_\_\_\_

PROJECT: \_\_\_\_\_

ENGINEER: \_\_\_\_\_

REV.	DATE
2323 W. HUBBARD ST. CHICAGO, IL 60612 TEL: 312-738-3800 FAX: 312-738-0415 WWW.METRAFLEX.COM	
<b>MODEL GIL04GFM</b> FM APPROVED SEISMIC GATOR WITH GROOVED ENDS ±4" MOVEMENT ALL DIRECTIONS	
DRAWN BY: <b>DTH</b>	DATE: <b>4/19/2016</b>
APPROVED:	DATE:
SCALE: <b>NONE</b>	DRAWING NUMBER: <b>GIL04GFM</b>

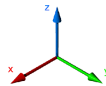


MATERIAL:  
 BELLOWS - MULTI-PLY STAINLESS STEEL  
 FLEXIBLE CAPSULE - STAINLESS STEEL  
 OTHER PARTS - CARBON STEEL

Qty.	Part Number	Size (in)	A (in)	B (in)	C (in)	Anchor Load (lbS)
	GIL04WFM0200	2	60-5/8	5-1/2	6-1/2	4201
	GIL04WFM0250	2-1/2	58-7/8	5-1/2	7-1/2	4201
	GIL04WFM0300	3	64-5/8	6-1/2	7-1/2	6836
	GIL04WFM0400	4	64-3/8	8-1/2	9-1/2	10274
	GIL04WFM0500	5	68-3/4	10-3/4	9-1/2	13140
	GIL04WFM0600	6	74-5/8	12-3/4	11-3/4	16565
	GIL04WFM0800	8	79-3/4	14	13-3/4	24638

DESIGN DATA:  
 TEMP. 70°F. (21°C.)  
 PRESS. 175 PSI (1206 KPa)  
 TEST PRESS. 262.5 PSI (1810 KPa)

MOVEMENT 4" (100mm) ALL DIRECTIONS

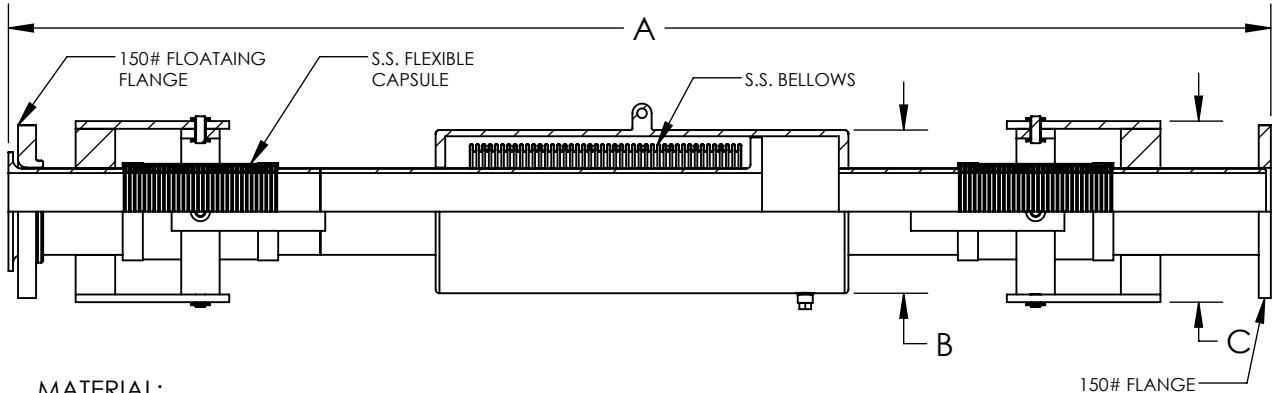
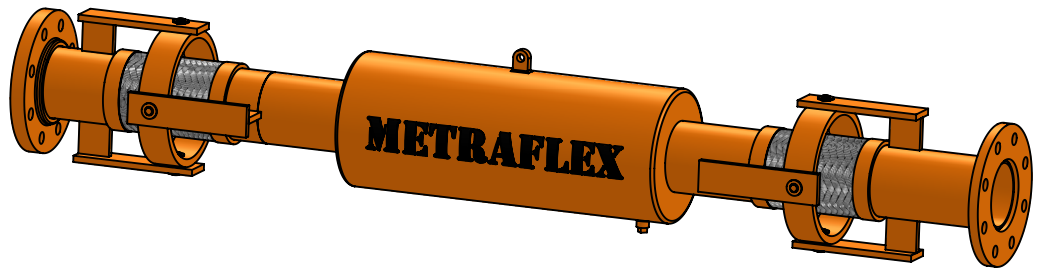


CUSTOMER: \_\_\_\_\_

PROJECT: \_\_\_\_\_

ENGINEER: \_\_\_\_\_

REV.	DATE
2323 W. HUBBARD ST. CHICAGO, IL 60612 TEL: 312-738-3800 FAX: 312-738-0415 WWW.METRAFLEX.COM	
<b>MODEL GIL04WFM</b> FM APPROVED SEISMIC GATOR WITH WELD ENDS ±4" MOVEMENT ALL DIRECTIONS	
DRAWN BY: <b>DTH</b>	DATE: <b>4/20/2016</b>
APPROVED:	DATE:
SCALE: <b>NONE</b>	DRAWING NUMBER: <b>GIL04WFM</b>



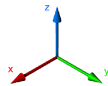
MATERIAL:  
 BELLOWS - MULTI-PLY STAINLESS STEEL  
 FLEXIBLE CAPSULE - STAINLESS STEEL  
 OTHER PARTS - CARBON STEEL

Qty.	Part Number	Size (in)	A (in)	B (in)	C (in)	Anchor Load (lbs)
	GIL04FFM0200	2	60-3/4	5-1/2	6-1/2	4201
	GIL04FFM0250	2-1/2	58-7/8	5-1/2	7-1/2	4201
	GIL04FFM0300	3	64-3/4	6-1/2	7-1/2	6836
	GIL04FFM0400	4	64-1/2	8-1/2	9-1/2	10274
	GIL04FFM0500	5	68-7/8	10-3/4	9-1/2	13140
	GIL04FFM0600	6	76-3/4	12-3/4	11-3/4	16565
	GIL04FFM0800	8	80-7/8	14	13-3/4	24638

DESIGN DATA:

TEMP. 70°F. (21°C.)  
 PRESS. 175 PSI (1206 KPa)  
 TEST PRESS. 262.5 PSI (1810 KPa)

MOVEMENT 4" (100mm) ALL DIRECTIONS



CUSTOMER: \_\_\_\_\_

PROJECT: \_\_\_\_\_

ENGINEER: \_\_\_\_\_

REV.	DATE
2323 W. HUBBARD ST. CHICAGO, IL 60612 TEL: 312-738-3800 FAX: 312-738-0415 WWW.METRAFLEX.COM	
<b>MODEL GIL04FFM</b> FM APPROVED SEISMIC GATOR WITH FLANGED ENDS +/- 4" MOVEMENT ALL DIRECTIONS	
DRAWN BY: <b>DTH</b>	DATE: <b>4/20/2016</b>
APPROVED:	DATE:
SCALE: <b>NONE</b>	DRAWING NUMBER: <b>GIL04FFM</b>