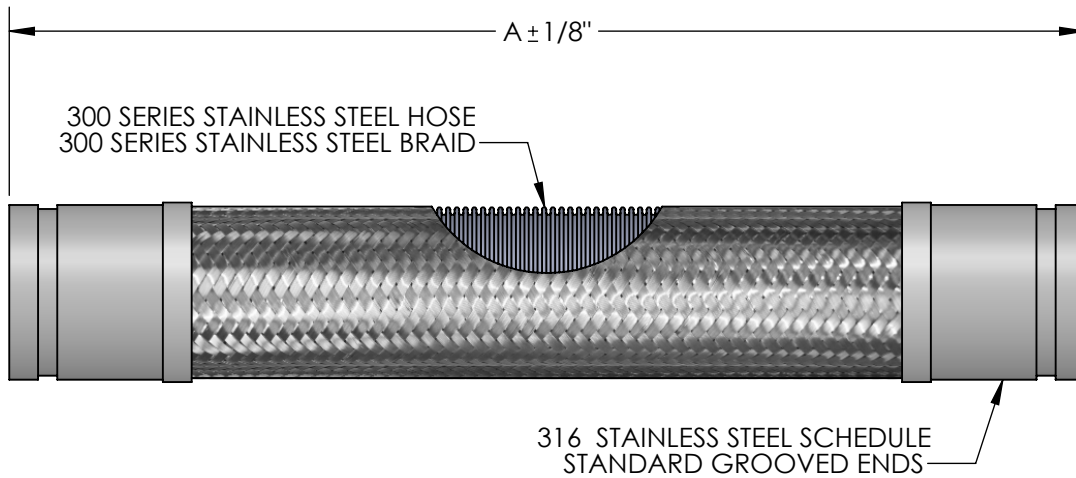


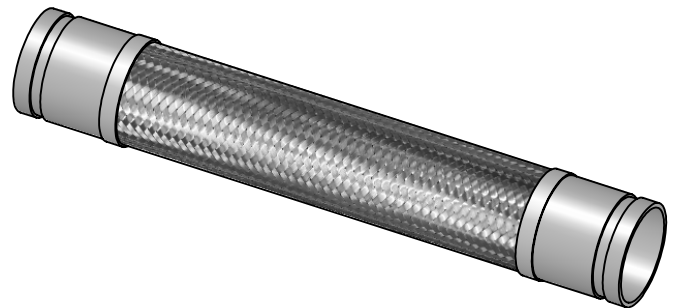
**MODEL FSUGSS8
GROOVED FLEXIBLE CONNECTOR
±8" MOVEMENT**



QTY	PART NUMBER	PIPE SIZE	A	BRAID	PRESSURE RATING (PSI)*	INTERMITTENT LATERAL OFFSET
	FSUGSS80100	1"	30-3/8"	SINGLE	300	8"
	FSUGSS80125	1-1/4"	32-1/2"	SINGLE	300	8"
	FSUGSS80150	1-1/2"	34-5/8"	SINGLE	300	8"
	FSUGSS80200	2"	37-7/8"	SINGLE	300	8"
	FSUGSS80250	2-1/2"	42-1/8"	SINGLE	300	8"
	FSUGSS80300	3"	43-1/4"	DOUBLE	300	8"
	FSUGSS80400	4"	54-3/4"	DOUBLE	300	8"
	FSUGSS80500	5"	50-1/4"	DOUBLE	300	8"
	FSUGSS80600	6"	59-1/4"	DOUBLE	300	8"
	FSUGSS80800	8"	57-3/4"	DOUBLE	175	8"
	FSUGSS81000	10"	62-5/8"	DOUBLE	175	8"
	FSUGSS81200	12"	67-5/8"	DOUBLE	175	8"

SUITABLE FOR USE IN DRY PIPE SYSTEMS
TEMPERATURES TO -40°F

NOTE: 4", 5", & 6" SIZES RATED FOR HIGH-PRESSURE



NSF 372 - LEAD FREE

The wetted surface of this product contacted by consumable water contains less than one quarter of one percent (0.25%) of lead by weight. Material complies with state codes and standards, where applicable, requiring reduced lead content.

CUSTOMER: _____

PROJECT: _____

ENGINEER: _____

REV.	DATE
2323 W. HUBBARD ST. CHICAGO, IL 60612 TEL: 312-738-3800 FAX: 312-738-0415 WWW.METRAFLEX.COM	
MODEL FSUGSS8 UL LISTED GROOVED FLEXIBLE CONNECTOR FOR FIRE PROTECTION, ±8" MOVEMENT, STAINLESS STEEL	
DRAWN BY: DEVINR	DATE: 01/03/2023
APPROVED:	DATE:
SCALE: N/A	DRAWING NUMBER: FSUGSS8