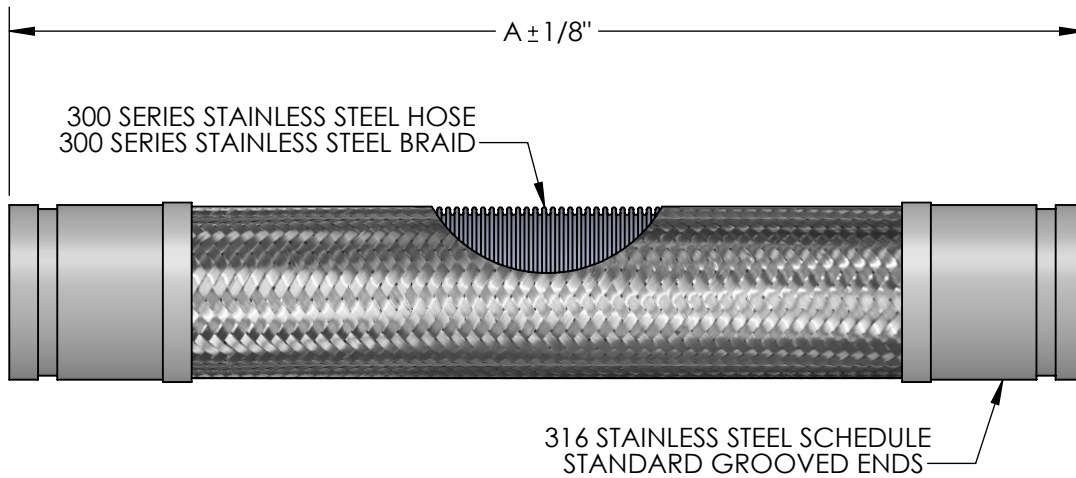


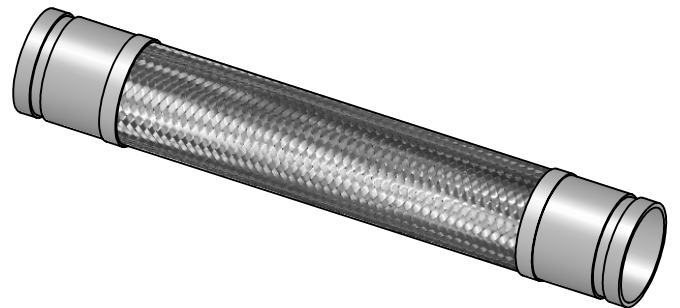
MODEL FSUGSS4
GROOVED FLEXIBLE CONNECTOR
±4" MOVEMENT



QTY	PART NUMBER	PIPE SIZE	A	BRAID	PRESSURE RATING (PSI)*	INTERMITTENT LATERAL OFFSET
	FSUGSS40100	1"	24-3/8"	SINGLE	300	4"
	FSUGSS40125	1-1/4"	25-1/2"	SINGLE	300	4"
	FSUGSS40150	1-1/2"	27-5/8"	SINGLE	300	4"
	FSUGSS40200	2"	28-7/8"	SINGLE	300	4"
	FSUGSS40250	2-1/2"	31-1/8"	SINGLE	300	4"
	FSUGSS40300	3"	32-1/4"	DOUBLE	300	4"
	FSUGSS40400	4"	40-3/4"	DOUBLE	300	4"
	FSUGSS40500	5"	37-3/4"	DOUBLE	300	4"
	FSUGSS40600	6"	44-1/4"	DOUBLE	300	4"
	FSUGSS40800	8"	49-3/4"	DOUBLE	175	4"
	FSUGSS41000	10"	47-1/8"	DOUBLE	175	4"
	FSUGSS41200	12"	50-1/8"	DOUBLE	175	4"

SUITABLE FOR USE IN DRY PIPE SYSTEMS
 TEMPERATURES TO -40°F

NOTE: 4", 5", & 6" SIZES RATED FOR HIGH-PRESSURE



NSF 372 - LEAD FREE

The wetted surface of this product contacted by consumable water contains less than one quarter of one percent (0.25%) of lead by weight. Material complies with state codes and standards, where applicable, requiring reduced lead content.

CUSTOMER: _____

PROJECT: _____

ENGINEER: _____

REV.	DATE
2323 W. HUBBARD ST. CHICAGO, IL 60612 TEL: 312-738-3800 FAX: 312-738-0415 WWW.METRAFLEX.COM	
MODEL FSUGSS4 UL LISTED GROOVED FLEXIBLE CONNECTOR FOR FIRE PROTECTION, ±4" MOVEMENT, STAINLESS STEEL	
DRAWN BY: DEVINR	DATE: 01/03/2023
APPROVED:	DATE:
SCALE: N/A	DRAWING NUMBER: FSUGSS4