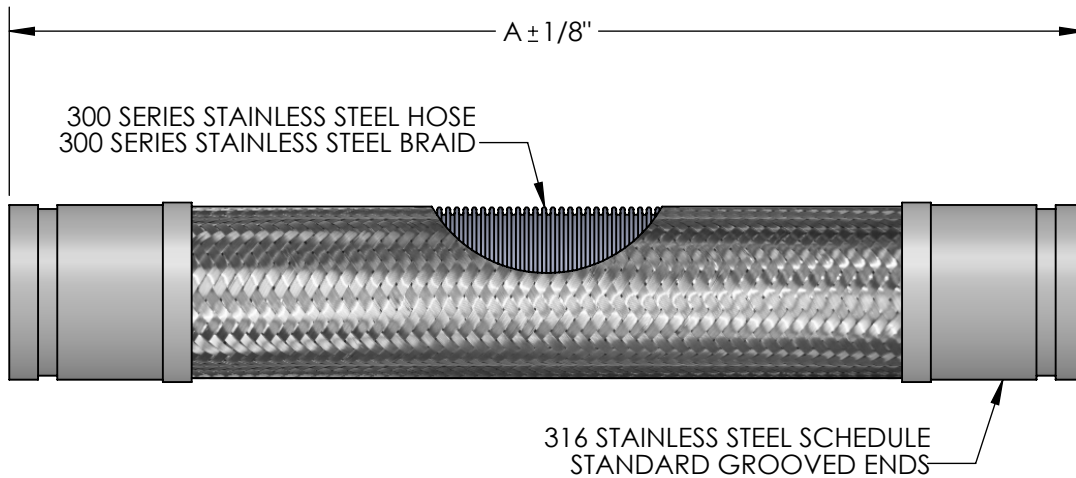


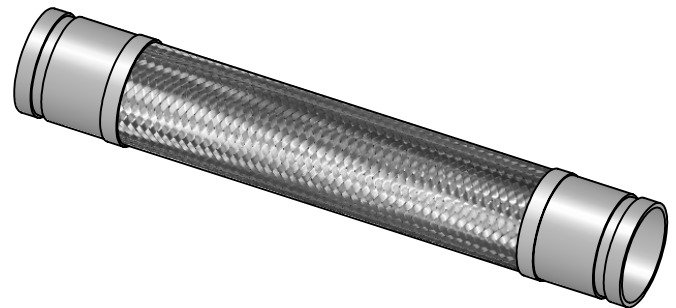
**MODEL FSUGSS2
GROOVED FLEXIBLE CONNECTOR
±2" MOVEMENT**



QTY	PART NUMBER	PIPE SIZE	A	BRAID	PRESSURE RATING (PSI)*	INTERMITTENT LATERAL OFFSET
	FSUGSS20100	1"	19-1/8"	SINGLE	300	± 2"
	FSUGSS20125	1-1/4"	19-5/8"	SINGLE	300	± 2"
	FSUGSS20150	1-1/2"	22-1/8"	SINGLE	300	± 2"
	FSUGSS20200	2"	22-3/8"	SINGLE	300	± 2"
	FSUGSS20250	2-1/2"	24-3/8"	SINGLE	300	± 2"
	FSUGSS20300	3"	25-1/4"	DOUBLE	300	± 2"
	FSUGSS20400	4"	31-1/4"	DOUBLE	300	± 2"
	FSUGSS20500	5"	28-3/4"	DOUBLE	300	± 2"
	FSUGSS20600	6"	33-3/4"	DOUBLE	300	± 2"
	FSUGSS20800	8"	37-3/4"	DOUBLE	175	± 2"
	FSUGSS21000	10"	36-5/8"	DOUBLE	175	± 2"
	FSUGSS21200	12"	38-5/8"	DOUBLE	175	± 2"

SUITABLE FOR USE IN DRY PIPE SYSTEMS
TEMPERATURES TO -40°F

NOTE: 4", 5", & 6" SIZES RATED FOR HIGH-PRESSURE



NSF 372 - LEAD FREE

The wetted surface of this product contacted by consumable water contains less than one quarter of one percent (0.25%) of lead by weight. Material complies with state codes and standards, where applicable, requiring reduced lead content.

CUSTOMER: _____

PROJECT: _____

ENGINEER: _____

REV.	DATE
2323 W. HUBBARD ST. CHICAGO, IL 60612 TEL: 312-738-3800 FAX: 312-738-0415 WWW.METRAFLEX.COM	
MODEL FSUGSS2 UL LISTED GROOVED FLEXIBLE CONNECTOR 300 SERIES STAINLESS STEEL GROOVED ENDS, ±2" MOVEMENT	
DRAWN BY: DEVINR	DATE: 01/03/2023
APPROVED:	DATE:
SCALE: N/A	DRAWING NUMBER: FSUGSS2