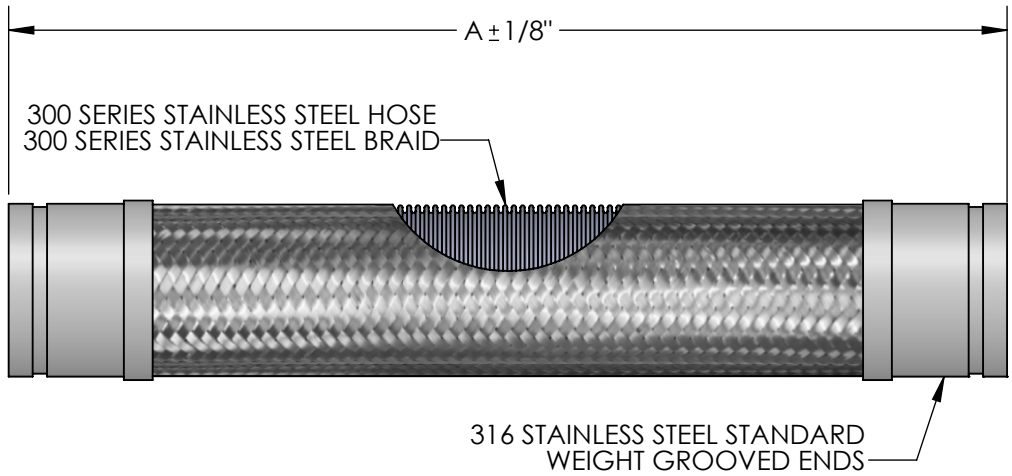


**MODEL FSUGSS  
GROOVED FLEXIBLE PUMP CONNECTOR  
±36" MOVEMENT**

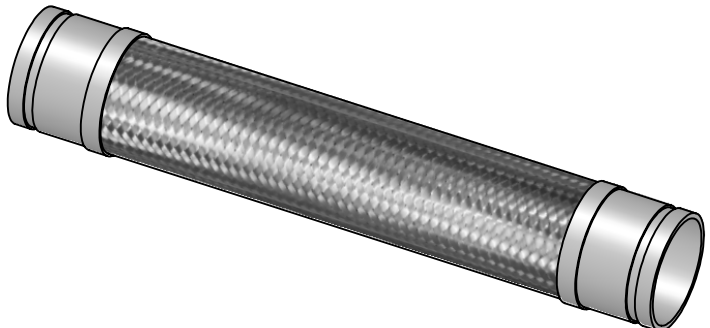


**FOR FIRE  
SPRINKLER  
SYSTEMS**

QTY	PART NUMBER	PIPE SIZE	A	BRAID	PRESSURE RATING (PSI)*	INTERMITTENT LATERAL OFFSET
	FSUGSS360100	1"	66"	SINGLE	300	36"
	FSUGSS360125	1-1/4"	69"	SINGLE	300	36"
	FSUGSS360150	1-1/2"	73"	SINGLE	300	36"
	FSUGSS360200	2"	78"	SINGLE	300	36"
	FSUGSS360250	2-1/2"	86"	SINGLE	300	36"
	FSUGSS360300	3"	89"	DOUBLE	300	36"
	FSUGSS360400	4"	112"	DOUBLE	300	36"
	FSUGSS360500	5"	103"	DOUBLE	300	36"
	FSUGSS360600	6"	121"	DOUBLE	300	36"
	FSUGSS360800	8"	114"	DOUBLE	175	36"
	FSUGSS361000	10"	125"	DOUBLE	175	36"
	FSUGSS361200	12"	135"	DOUBLE	175	36"

SUITABLE FOR USE IN DRY PIPE SYSTEMS  
TEMPERATURES TO -40°F

NOTE: 4", 5", & 6" SIZES RATED FOR HIGH PRESSURE




**NSF 372 - LEAD FREE**

The wetted surface of this product contacted by consumable water contains less than one quarter of one percent (0.25%) of lead by weight. Material complies with state codes and standards, where applicable, requiring reduced lead content.

CUSTOMER: \_\_\_\_\_

PROJECT: \_\_\_\_\_

ENGINEER: \_\_\_\_\_

REV.	DATE
	
2323 W. HUBBARD ST. CHICAGO, IL 60612 TEL: 312-738-3800 FAX: 312-738-0415 WWW.METRAFLEX.COM	
<b>MODEL FSUGSS36</b> UL LISTED GROOVED FLEXIBLE PUMP CONNECTOR FOR FIRE PROTECTION, ±36" MOVEMENT	
DRAWN BY: <b>DEVINR</b>	DATE: <b>12/29/2022</b>
APPROVED:	DATE:
SCALE: N/A	DRAWING NUMBER: <b>FSUGSS36</b>