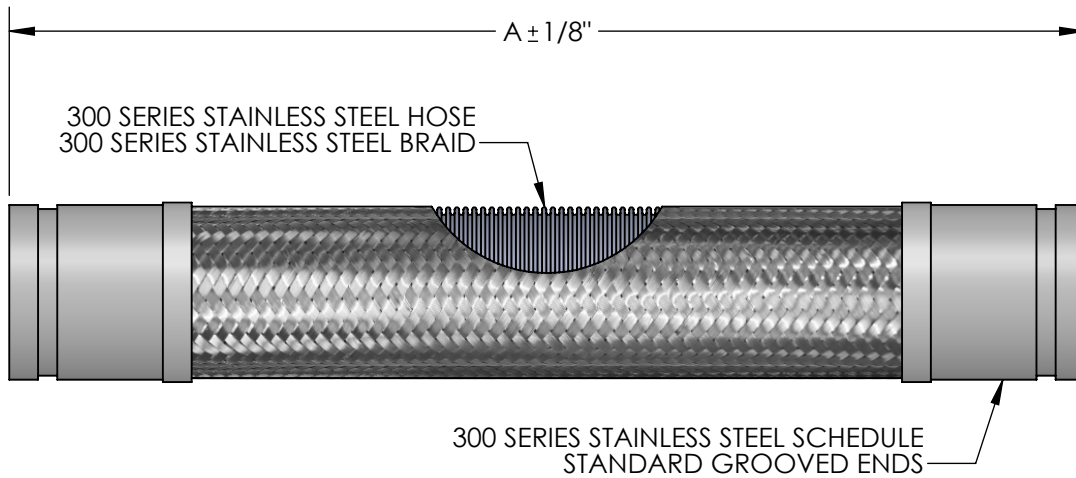


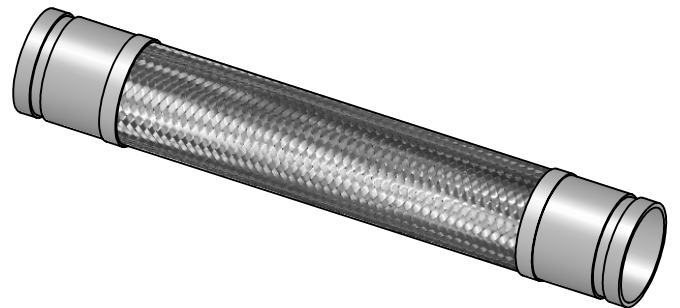
**MODEL FSUGSS12
GROOVED FLEXIBLE CONNECTOR
±12" MOVEMENT**



QTY	PART NUMBER	PIPE SIZE	A	BRAID	PRESSURE RATING (PSI)*	INTERMITTENT LATERAL OFFSET
	FSUGSS120100	1"	36-3/8"	SINGLE	300	± 12"
	FSUGSS120125	1-1/4"	38-1/2"	SINGLE	300	± 12"
	FSUGSS120150	1-1/2"	41-5/8"	SINGLE	300	± 12"
	FSUGSS120200	2"	45-7/8"	SINGLE	300	± 12"
	FSUGSS120250	2-1/2"	49-1/8"	SINGLE	300	± 12"
	FSUGSS120300	3"	51-1/4"	DOUBLE	300	± 12"
	FSUGSS120400	4"	54-3/4"	DOUBLE	300	± 12"
	FSUGSS120500	5"	58-1/4"	DOUBLE	300	± 12"
	FSUGSS120600	6"	63-3/4"	DOUBLE	300	± 12"
	FSUGSS120800	8"	78-3/4"	DOUBLE	175	± 12"
	FSUGSS121000	10"	74-5/8"	DOUBLE	175	± 12"
	FSUGSS121200	12"	80-5/8"	DOUBLE	175	± 12"

SUITABLE FOR USE IN DRY PIPE SYSTEMS
TEMPERATURES TO -40°F

NOTE: 4", 5", & 6" SIZES RATED FOR HIGH-PRESSURE



NSF 372 - LEAD FREE

The wetted surface of this product contacted by consumable water contains less than one quarter of one percent (0.25%) of lead by weight. Material complies with state codes and standards, where applicable, requiring reduced lead content.

CUSTOMER: _____

PROJECT: _____

ENGINEER: _____

REV.	DATE
2323 W. HUBBARD ST. CHICAGO, IL 60612 TEL: 312-738-3800 FAX: 312-738-0415 WWW.METRAFLEX.COM	
MODEL FSUGSS12 UL LISTED GROOVED FLEXIBLE CONNECTOR 300 SERIES STAINLESS STEEL GROOVED ENDS, ±12" MOVEMENT	
DRAWN BY: JIMA	DATE: 11/11/2021
APPROVED:	DATE:
SCALE: N/A	DRAWING NUMBER: FSUGSS12