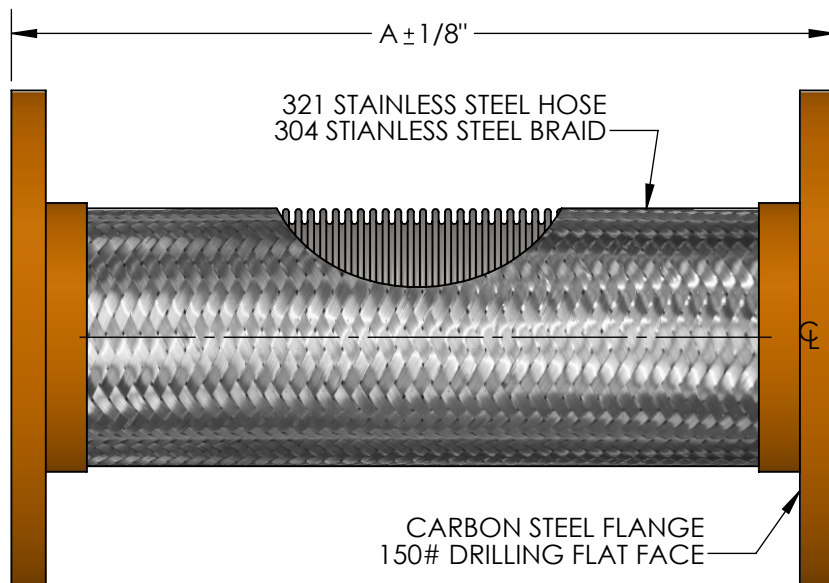


**MODEL METRAMINI (MM)  
FLANGED FLEXIBLE PUMP CONNECTOR**

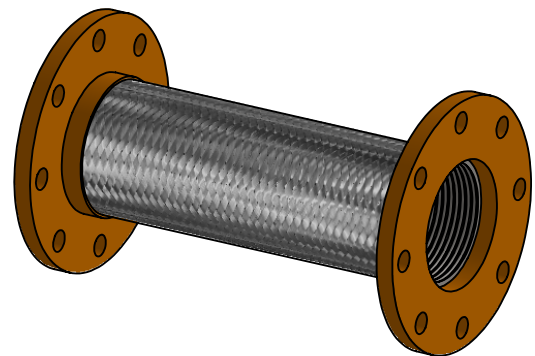


FOR FIRE  
SPRINKLER  
SYSTEMS

CONTACT FACTORY FOR ADDITIONAL SIZES AND MOVEMENTS. ALL DIMENSIONS IN INCHES.

QTY	PART NUMBER	PIPE SIZE	A	BRAID	PRESSURE RATING (PSI)*	INTERMITTENT LATERAL OFFSET
	MMUL0200	2"	9"	SINGLE	300	1/8"
	MMUL0250	2-1/2"	9"	SINGLE	300	1/8"
	MMUL0300	3"	9"	DOUBLE	300	1/8"
	MMUL0400	4"	9"	DOUBLE	175	1/8"
	MMUL0500	5"	11"	DOUBLE	175	1/8"
	MMUL0600	6"	11"	DOUBLE	175	1/8"
	MMUL0800	8"	12"	DOUBLE	175	1/8"
	MMUL1000	10"	13"	DOUBLE	175	1/8"
	MMUL1200	12"	14"	DOUBLE	175	1/8"

SUITABLE FOR USE IN DRY PIPE SYSTEMS  
TEMPERATURES TO -40°F.



**NSF 372 - LEAD FREE**

The wetted surface of this product contacted by consumable water contains less than one quarter of one percent (0.25%) of lead by weight. Material complies with state codes and standards, where applicable, requiring reduced lead content.

CUSTOMER: \_\_\_\_\_

PROJECT: \_\_\_\_\_

ENGINEER: \_\_\_\_\_

REV.	DATE
2323 W. HUBBARD ST. CHICAGO, IL 60612 TEL: 312-738-3800 FAX: 312-738-0415 WWW.METRAFLEX.COM	
<b>MODEL METRAMINI (MM)</b> UL LISTED FLANGED FLEXIBLE PUMP CONNECTOR FOR FIRE PROTECTION	
DRAWN BY: <b>RDAHYA</b>	DATE: <b>3/11/2019</b>
APPROVED:	DATE:
SCALE: <b>N/A</b>	DRAWING NUMBER: <b>MMUL</b>