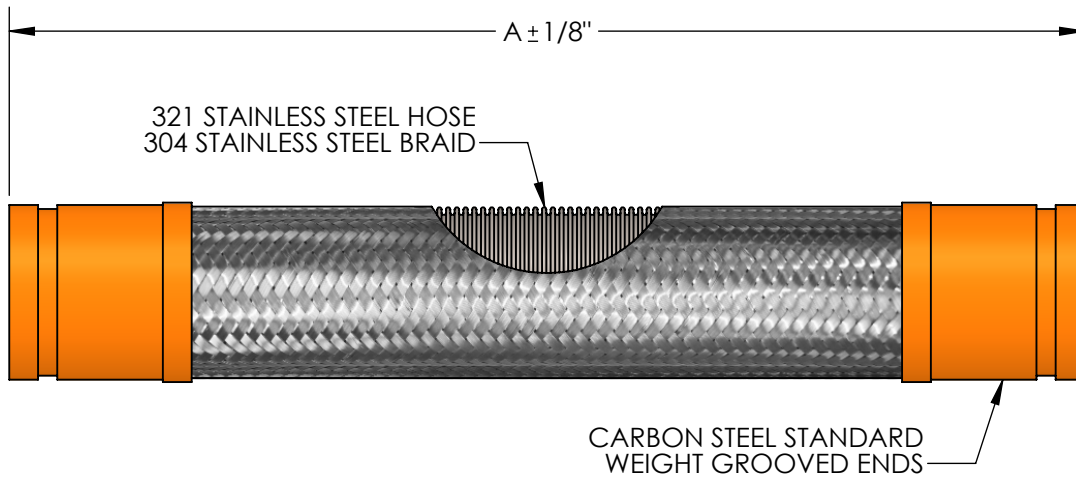
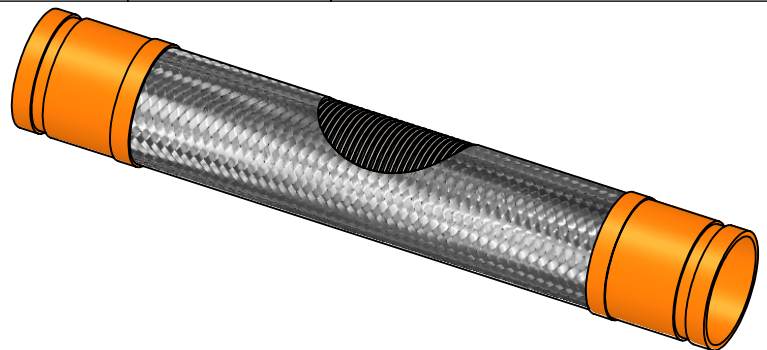


**MODEL FSUG4  
GROOVED FLEXIBLE PUMP CONNECTOR  
±4" MOVEMENT**



QTY	PART NUMBER	PIPE SIZE	A	BRAID	PRESSURE RATING (PSI)*	INTERMITTENT LATERAL OFFSET
	FSUG40100	1"	24-3/8"	SINGLE	300	4"
	FSUG40125	1-1/4"	25-1/2"	SINGLE	300	4"
	FSUG40150	1-1/2"	27-5/8"	SINGLE	300	4"
	FSUG40200	2"	28-7/8"	SINGLE	300	4"
	FSUG40250	2-1/2"	31-1/8"	SINGLE	300	4"
	FSUG40300	3"	32-1/4"	DOUBLE	300	4"
	FSUG40400	4"	34-3/4"	DOUBLE	175	4"
	FSUG40500	5"	36-1/4"	DOUBLE	175	4"
	FSUG40600	6"	39-3/4"	DOUBLE	175	4"
	FSUG40800	8"	49-3/4"	DOUBLE	175	4"
	FSUG41000	10"	47-1/8"	DOUBLE	175	4"
	FSUG41200	12"	50-1/8"	DOUBLE	175	4"

SUITABLE FOR USE IN DRY PIPE SYSTEMS  
TEMPERATURES TO -40°F



**NSF 372 - LEAD FREE**

The wetted surface of this product contacted by consumable water contains less than one quarter of one percent (0.25%) of lead by weight. Material complies with state codes and standards, where applicable, requiring reduced lead content.

CUSTOMER: \_\_\_\_\_

PROJECT: \_\_\_\_\_

ENGINEER: \_\_\_\_\_

REV. 1	SMALLER SIZES ADDED	DATE 9/9/2021
		2323 W. HUBBARD ST. CHICAGO, IL 60612 TEL: 312-738-3800 FAX: 312-738-0415 WWW.METRAFLEX.COM
<b>MODEL FSUG4</b> UL LISTED GROOVED FLEXIBLE PUMP CONNECTOR FOR FIRE PROTECTION, ±4" MOVEMENT		
DRAWN BY: <b>RDAHYA</b>		DATE: <b>12/11/2019</b>
APPROVED: _____		DATE: _____
SCALE: N/A	DRAWING NUMBER: <b>FSUG4</b>	