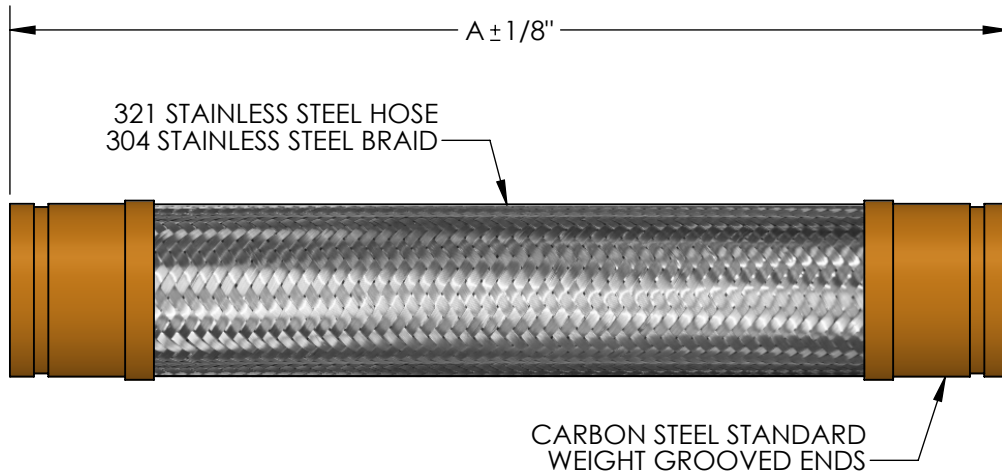


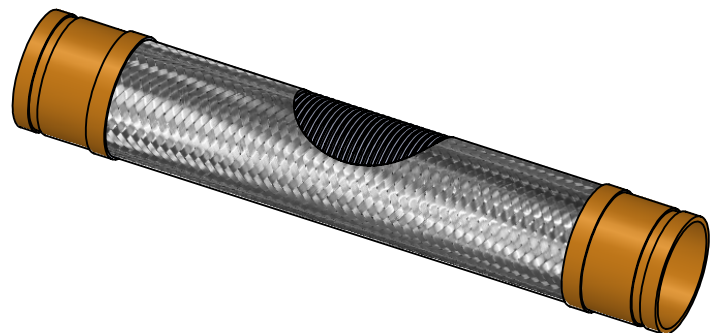
**MODEL FSUG
GROOVED FLEXIBLE CONNECTOR
±60" MOVEMENT**



FOR FIRE
SPRINKLER
SYSTEMS

QTY	PART NUMBER	PIPE SIZE	A	BRAID	PRESSURE RATING (PSI)*	INTERMITTENT LATERAL OFFSET
	FSUG600100	1"	93"	SINGLE	300	±60"
	FSUG600120	1-1/4"	96"	SINGLE	300	±60"
	FSUG600150	1-1/2"	101"	SINGLE	300	±60"
	FSUG600200	2"	107"	SINGLE	300	±60"
	FSUG600250	2-1/2"	117"	SINGLE	300	±60"
	FSUG600300	3"	120"	DOUBLE	300	±60"
	FSUG600400	4"	129"	DOUBLE	175	±60"
	FSUG600500	5"	135"	DOUBLE	175	±60"
	FSUG600600	6"	142"	DOUBLE	175	±60"
	FSUG600800	8"	150"	DOUBLE	175	±60"
	FSUG601000	10"	163"	DOUBLE	175	±60"
	FSUG601200	12"	175"	DOUBLE	175	±60"

SUITABLE FOR USE IN DRY PIPE SYSTEMS
TEMPERATURES TO -40°F



NSF 372 - LEAD FREE

The wetted surface of this product contacted by consumable water contains less than one quarter of one percent (0.25%) of lead by weight. Material complies with state codes and standards, where applicable, requiring reduced lead content.

CUSTOMER: _____

PROJECT: _____

ENGINEER: _____

REV.	DATE
2323 W. HUBBARD ST. CHICAGO, IL 60612 TEL: 312-738-3800 FAX: 312-738-0415 WWW.METRAFLEX.COM	
MODEL FSUG60 UL LISTED GROOVED FLEXIBLE CONNECTOR FOR FIRE PROTECTION, ±60" MOVEMENT	
DRAWN BY: JIMA	DATE: 6/24/2021
APPROVED:	DATE:
SCALE: N/A	DRAWING NUMBER: FSUG60