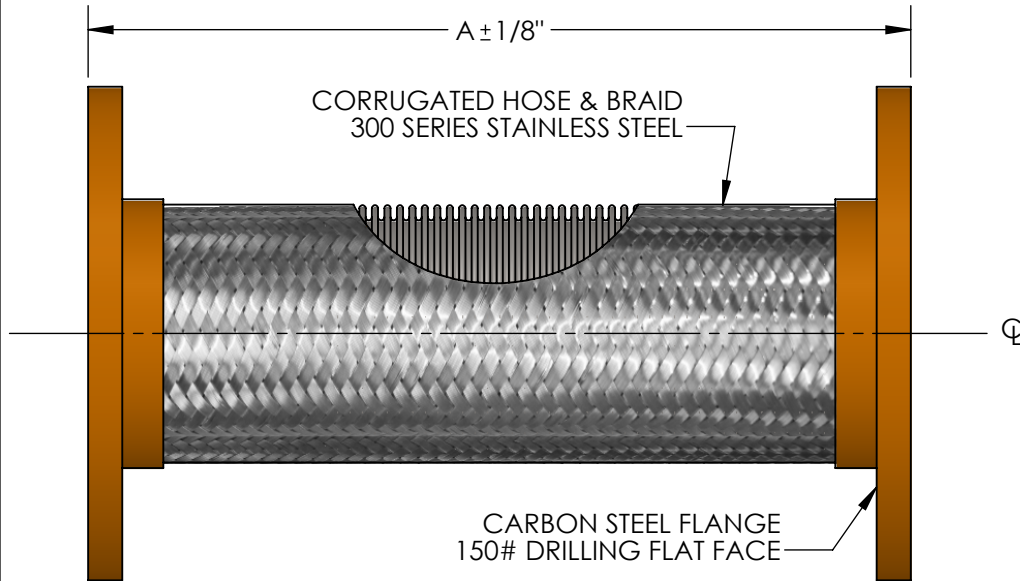


**MODEL MLPUL
FLANGED FLEXIBLE PUMP CONNECTOR**

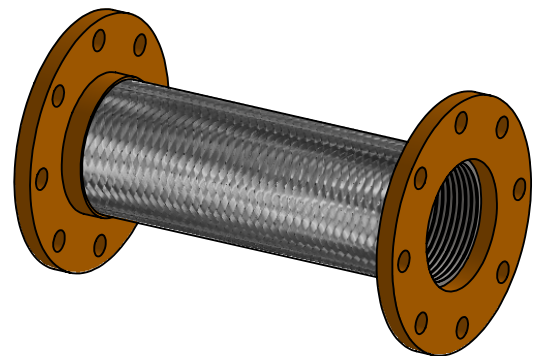


FOR FIRE
SPRINKLER
SYSTEMS

CONTACT FACTORY FOR ADDITIONAL SIZES AND MOVEMENTS. ALL DIMENSIONS IN INCHES.

QTY	PART NUMBER	PIPE SIZE	A	BRAID	PRESSURE RATING (PSI)*	INTERMITTENT LATERAL OFFSET
	MLPUL0200	2"	12"	SINGLE	300	3/4"
	MLPUL0250	2-1/2"	14"	SINGLE	300	3/4"
	MLPUL0300	3"	14"	DOUBLE	300	3/4"
	MLPUL0400	4"	16"	DOUBLE	175	3/4"
	MLPUL0500	5"	18"	DOUBLE	175	3/4"
	MLPUL0600	6"	20"	DOUBLE	175	3/4"
	MLPUL0800	8"	22"	DOUBLE	175	3/4"
	MLPUL1000	10"	24"	DOUBLE	175	3/4"
	MLPUL1200	12"	26"	DOUBLE	175	3/4"

SUITABLE FOR USE IN DRY PIPE SYSTEMS
TEMPERATURES TO -40°F.



NSF 372 - LEAD FREE

The wetted surface of this product contacted by consumable water contains less than one quarter of one percent (0.25%) of lead by weight. Material complies with state codes and standards, where applicable, requiring reduced lead content.

CUSTOMER: _____

PROJECT: _____

ENGINEER: _____

REV.	DATE
2323 W. HUBBARD ST. CHICAGO, IL 60612 TEL: 312-738-3800 FAX: 312-738-0415 WWW.METRAFLEX.COM	
MODEL MLPUL UL LISTED FLANGED FLEXIBLE PUMP CONNECTOR FOR FIRE PROTECTION	
DRAWN BY: RDAHYA	DATE: 3/11/2019
APPROVED:	DATE:
SCALE: N/A	DRAWING NUMBER: MLPUL