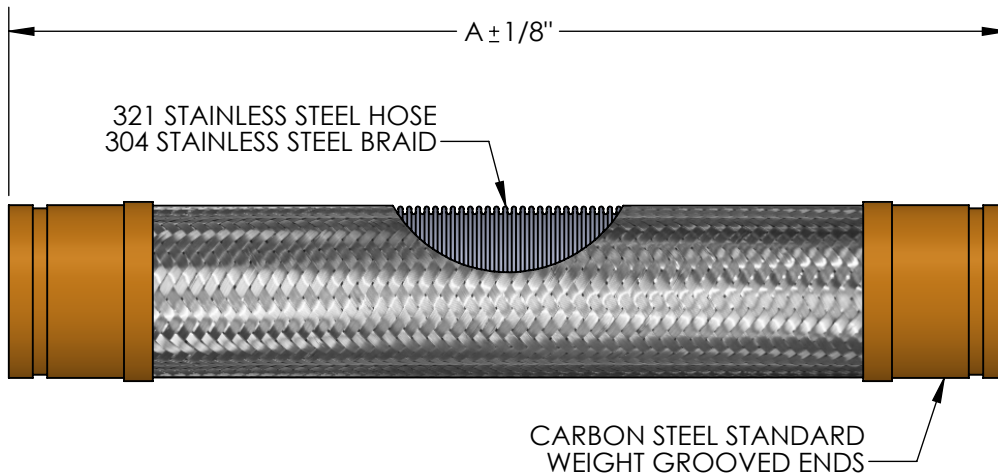


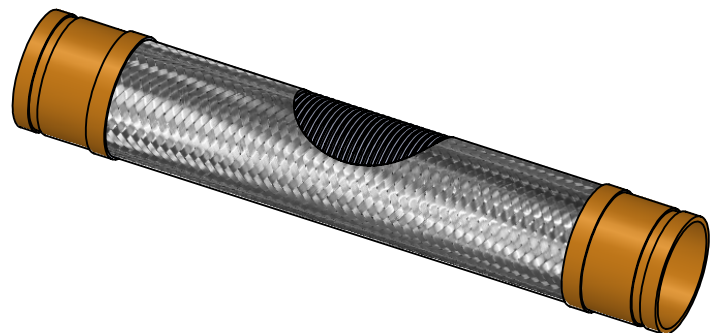
**MODEL FSUG  
GROOVED FLEXIBLE CONNECTOR  
±36" MOVEMENT**



FOR FIRE  
SPRINKLER  
SYSTEMS

QTY	PART NUMBER	PIPE SIZE	A	BRAID	PRESSURE RATING (PSI)*	INTERMITTENT LATERAL OFFSET
	FSUG360100	1"	66"	SINGLE	300	±36"
	FSUG360120	1-1/4"	69"	SINGLE	300	±36"
	FSUG360150	1-1/2"	73"	SINGLE	300	±36"
	FSUG360200	2"	78"	SINGLE	300	±36"
	FSUG360250	2-1/2"	86"	SINGLE	300	±36"
	FSUG360300	3"	89"	DOUBLE	300	±36"
	FSUG360400	4"	96"	DOUBLE	175	±36"
	FSUG360500	5"	101"	DOUBLE	175	±36"
	FSUG360600	6"	108"	DOUBLE	175	±36"
	FSUG360800	8"	114"	DOUBLE	175	±36"
	FSUG361000	10"	125"	DOUBLE	175	±36"
	FSUG361200	12"	135"	DOUBLE	175	±36"

SUITABLE FOR USE IN DRY PIPE SYSTEMS  
TEMPERATURES TO -40°F



**NSF 372 - LEAD FREE**

The wetted surface of this product contacted by consumable water contains less than one quarter of one percent (0.25%) of lead by weight. Material complies with state codes and standards, where applicable, requiring reduced lead content.

CUSTOMER: \_\_\_\_\_

PROJECT: \_\_\_\_\_

ENGINEER: \_\_\_\_\_

REV.	DATE
2323 W. HUBBARD ST. CHICAGO, IL 60612 TEL: 312-738-3800 FAX: 312-738-0415 WWW.METRAFLEX.COM	
<b>MODEL FSUG36</b> UL LISTED GROOVED FLEXIBLE CONNECTOR FOR FIRE PROTECTION, ±36" MOVEMENT	
DRAWN BY: <b>JIMA</b>	DATE: <b>6/24/2021</b>
APPROVED:	DATE:
SCALE: <b>N/A</b>	DRAWING NUMBER: <b>FSUG36</b>