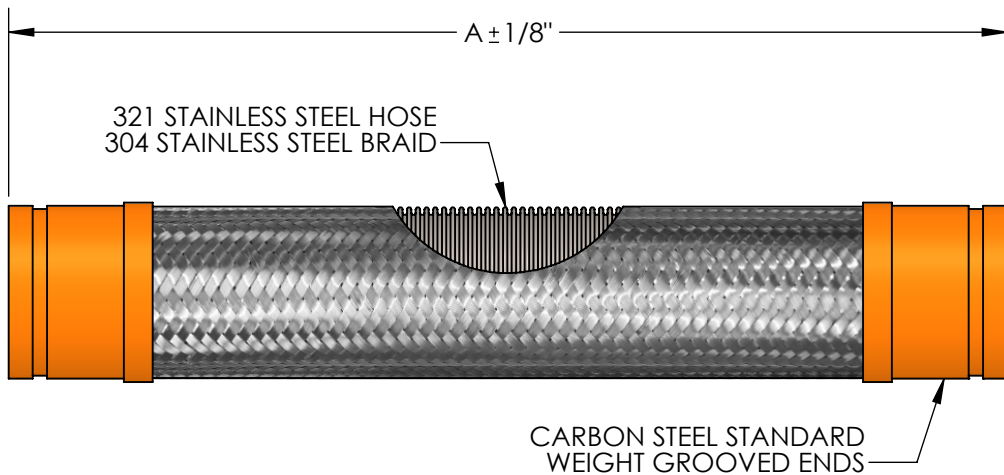
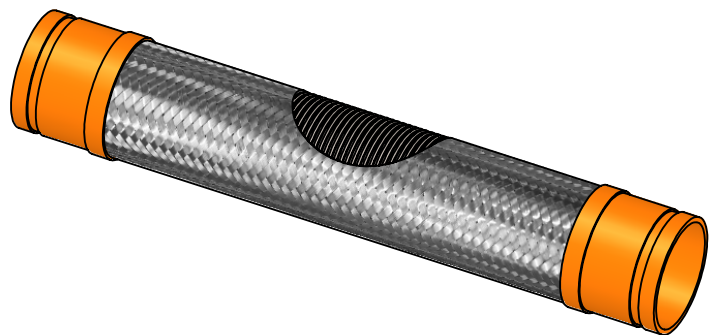


**MODEL FSUG2  
GROOVED FLEXIBLE PUMP CONNECTOR  
±2" MOVEMENT**



| QTY | PART NUMBER | PIPE SIZE | A       | BRAID  | PRESSURE RATING (PSI)* | INTERMITTENT LATERAL OFFSET |
|-----|-------------|-----------|---------|--------|------------------------|-----------------------------|
|     | FSUG20100   | 1"        | 19-1/8" | SINGLE | 300                    | 2"                          |
|     | FSUG20125   | 1-1/4"    | 19-5/8" | SINGLE | 300                    | 2"                          |
|     | FSUG20150   | 1-1/2"    | 22-1/8" | SINGLE | 300                    | 2"                          |
|     | FSUG20200   | 2"        | 22-3/8" | SINGLE | 300                    | 2"                          |
|     | FSUG20250   | 2-1/2"    | 24-3/8" | SINGLE | 300                    | 2"                          |
|     | FSUG20300   | 3"        | 25-1/4" | DOUBLE | 300                    | 2"                          |
|     | FSUG20400   | 4"        | 26-3/4" | DOUBLE | 175                    | 2"                          |
|     | FSUG20500   | 5"        | 28-1/4" | DOUBLE | 175                    | 2"                          |
|     | FSUG20600   | 6"        | 30-3/4" | DOUBLE | 175                    | 2"                          |
|     | FSUG20800   | 8"        | 37-3/4" | DOUBLE | 175                    | 2"                          |
|     | FSUG21000   | 10"       | 36-5/8" | DOUBLE | 175                    | 2"                          |
|     | FSUG21200   | 12"       | 38-5/8" | DOUBLE | 175                    | 2"                          |

SUITABLE FOR USE IN DRY PIPE SYSTEMS  
TEMPERATURES TO -40°F



**NSF 372 - LEAD FREE**

The wetted surface of this product contacted by consumable water contains less than one quarter of one percent (0.25%) of lead by weight. Material complies with state codes and standards, where applicable, requiring reduced lead content.

CUSTOMER: \_\_\_\_\_

PROJECT: \_\_\_\_\_

ENGINEER: \_\_\_\_\_

|  |                 |   |      |          |
|--|-----------------|---|------|----------|
| REV.   | 1               | SMALLER SIZES ADDED   | DATE | 9/9/2021 |
|  |                 | 2323 W. HUBBARD ST.<br>CHICAGO, IL 60612<br>TEL: 312-738-3800<br>FAX: 312-738-0415<br>WWW.METRAFLEX.COM |      |          |
| <b>MODEL FSUG2</b><br>UL LISTED GROOVED FLEXIBLE PUMP CONNECTOR<br>FOR FIRE PROTECTION, ±2" MOVEMENT |                 |   |      |          |
| DRAWN BY: <b>RDAHYA</b>  |                 | DATE: <b>12/11/2019</b>   |      |          |
| APPROVED:  |                 | DATE:   |      |          |
| SCALE:   | DRAWING NUMBER: |   |      |          |
| N/A  | FSUG2           |   |      |          |