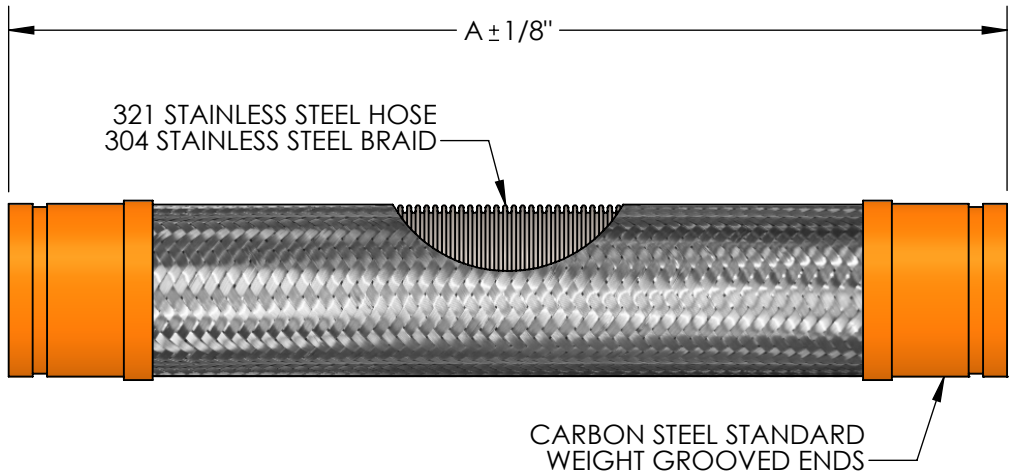
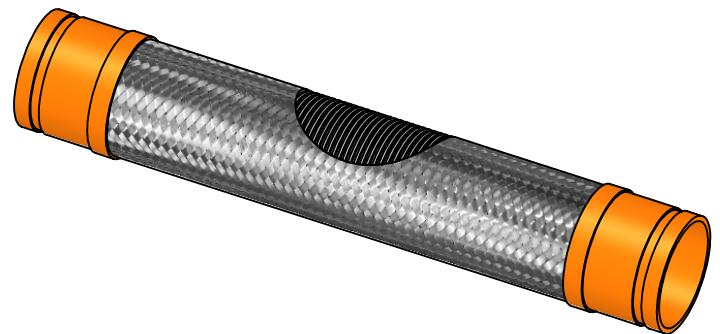


**MODEL FSUG12
GROOVED FLEXIBLE PUMP CONNECTOR
±12" MOVEMENT**



QTY	PART NUMBER	PIPE SIZE	A	BRAID	PRESSURE RATING (PSI)*	INTERMITTENT LATERAL OFFSET
	FSUG120100	1"	36-3/8"	SINGLE	300	12"
	FSUG120125	1-1/4"	38-1/2"	SINGLE	300	12"
	FSUG120150	1-1/2"	41-5/8"	SINGLE	300	12"
	FSUG120200	2"	45-7/8"	SINGLE	300	12"
	FSUG120250	2-1/2"	49-1/8"	SINGLE	300	12"
	FSUG120300	3"	51-1/4"	DOUBLE	300	12"
	FSUG120400	4"	54-3/4"	DOUBLE	175	12"
	FSUG120500	5"	58-1/4"	DOUBLE	175	12"
	FSUG120600	6"	63-3/4"	DOUBLE	175	12"
	FSUG120800	8"	78-3/4"	DOUBLE	175	12"
	FSUG121000	10"	74-5/8"	DOUBLE	175	12"
	FSUG121200	12"	80-5/8"	DOUBLE	175	12"

SUITABLE FOR USE IN DRY PIPE SYSTEMS
TEMPERATURES TO -40°F



NSF 372 - LEAD FREE

The wetted surface of this product contacted by consumable water contains less than one quarter of one percent (0.25%) of lead by weight. Material complies with state codes and standards, where applicable, requiring reduced lead content.

CUSTOMER: _____

PROJECT: _____

ENGINEER: _____

REV.	1	SMALLER SIZES ADDED	DATE	9/9/2021
		2323 W. HUBBARD ST. CHICAGO, IL 60612 TEL: 312-738-3800 FAX: 312-738-0415 WWW.METRAFLEX.COM		
MODEL FSUG12 UL LISTED GROOVED FLEXIBLE PUMP CONNECTOR FOR FIRE PROTECTION, ±12" MOVEMENT				
DRAWN BY: RDAHYA		DATE: 12/11/2019		
APPROVED:		DATE:		
SCALE:	DRAWING NUMBER:			
N/A	FSUG12			