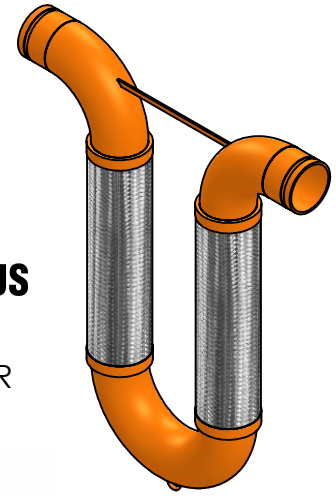


FOR FIRE
SPRINKLER
SYSTEMS



**MATERIALS OF
CONSTRUCTION**

- END FITTINGS - CARBON STEEL - SCH 40/STD WT
- HOSE & BRAID - STAINLESS STEEL - 300 SERIES
- 90° ELBOW - CARBON STEEL - SCH 40/STD WT
- 180° RETURN - CARBON STEEL - SCH 40/STD WT



SUPPORT BRACKET (2" AND LARGER)

NOTE: METRALOOPS 2-1/2" AND LARGER INSTALLED IN ANY ORIENTATION OTHER THAN HANGING DOWN *MUST* HAVE THE 180° RETURN SUPPORTED. (SEE INSTALLATION INSTRUCTIONS.)

CONTACT FACTORY FOR ADDITIONAL SIZES AND MOVEMENTS. ALL DIMENSIONS IN INCHES.

QTY	SIZE	MODEL	MOVEMENT	A	B	PSI	WT (LBS)	PROJECT INFO
	1" (25mm)	MLUGFM480100	±24"	34"	35"	300	14	
	1.25" (32mm)	MLUGFM480125	±24"	35"	38"	300	18	
	1.5" (40mm)	MLUGFM480150	±24"	37"	41"	300	24	
	2" (50mm)	MLUGFM480200	±24"	39"	47"	300	38	
	2.5" (65mm)	MLUGFM480250	±24"	41"	52"	300	62	
	3" (80mm)	MLUGFM480300	±24"	43"	56"	300	87	
	4" (100mm)	MLUGFM480400	±24"	47.5"	63"	175	119	
	5" (125mm)	MLUGFM480500	±24"	51.5"	70"	175	195	
	6" (150mm)	MLUGFM480600	±24"	55.5"	79"	175	290	
	8" (200mm)	MLUGFM480800	±24"	65.5"	99"	175	500	
	10" (250mm)	MLUGFM481000	±24"	74"	102"	175	596	
	12" (300mm)	MLUGFM481200	±24"	84"	115"	175	800	

SUITABLE FOR USE IN DRY PIPE SYSTEMS
FOR TEMPERATURES TO -40°F.

2	SIZES ADDED	8/21/2018
REV. 1	SUPPORT BRACKET CHANGE	DATE 2/5/2015

Metraflex
for pipes in motion

2323 W. HUBBARD ST.
CHICAGO, IL 60612
TEL: 312-738-3800
WWW.METRAFIRE.COM

METRAFLEX FIRELOOP™

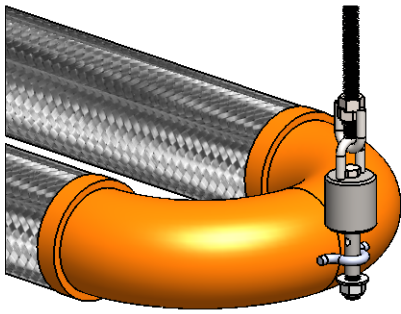
GROOVED ENDS, ±24" MOVEMENT

DRAWN BY: DKISH	DATE: 5/30/2014
APPROVED: ZB	DATE: 5/30/2014
SCALE: NTS	DRAWING NUMBER: MLUGFM48-REV2

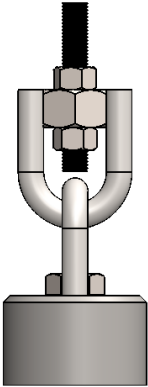
CUSTOMER: _____

PROJECT: _____

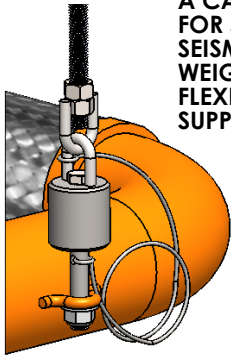
ENGINEER: _____



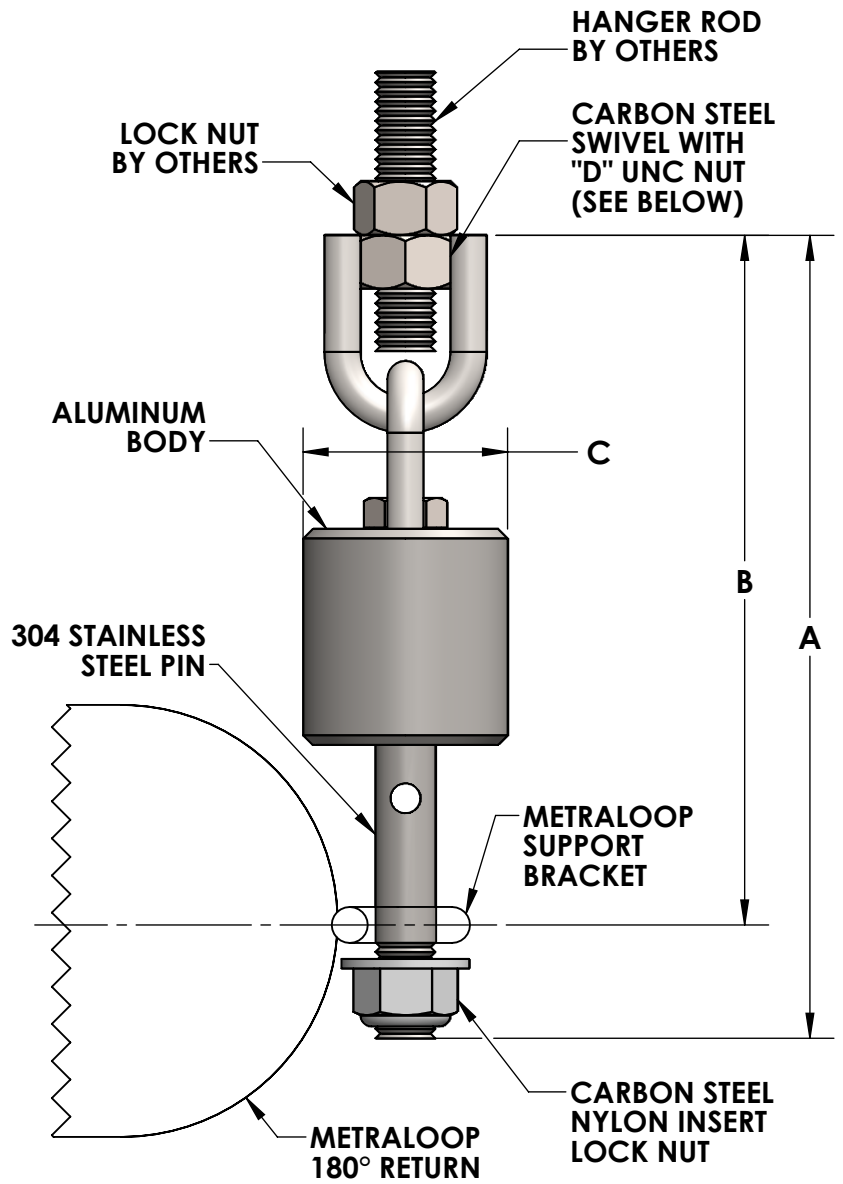
METRALOOP WITH SEISMIC BREAKAWAY HANGER
(FORMERLY BREAKAWAY COUPLING)



IF THE HANGER ROD IS SMALLER THAN THE NUT OF THE SWIVEL HANGER, SIMPLY SLIDE THE UNDERSIZED ROD THROUGH THE NUT AND FASTEN WITH THE APPROPRIATE SIZED NUTS.



A CABLE TETHER IS SUPPLIED FOR SUPPORTING LARGE SEISMIC LOOPS WHOSE WEIGHT OR EXTREME FLEXIBILITY MAY REQUIRE SUPPORT.



SEISMIC BREAKAWAY HANGER SIZING CHART				
LOOP SIZE	LOOP MOVEMENT			
	±4"	±8"	±16"	±24"
1/2"	NOT REQUIRED		SBH65	SBH65
3/4"			SBH65	SBH65
1"			SBH65	SBH65
1-1/4"			SBH65	SBH65
1-1/2"			SBH65	SBH65
2"			SBH65	SBH80
2-1/2"		SBH80	SBH80	SBH130
3"		SBH80	SBH80	SBH130
4"	SBH130	SBH130	SBH130	SBH200
5"	SBH130	SBH130	SBH200	SBH400
6"	SBH200	SBH200	SBH400	SBH400
8"	SBH400	SBH650	SBH650	SBH650

QTY	PART #	A (in)	B (in)	C (in)	D (in)
	SBH30	7.25	6.375	2.125	5/8"
	SBH45	7.25	6.375	2.125	5/8"
	SBH65	7.25	6.375	2.125	5/8"
	SBH80	7.25	6.375	2.125	5/8"
	SBH130	9.75	8.75	2.875	5/8"
	SBH200	9.75	8.75	2.875	3/4"
	SBH400	12.75	11.625	2.875	3/4"
	SBH650	12.75	11.625	2.875	3/4"

CUSTOMER: _____

PROJECT: _____

ENGINEER: _____

REV.	DATE
2323 W. HUBBARD ST. CHICAGO, IL 60612 TEL: 312-738-3800 FAX: 312-738-0415 WWW.METRAFLEX.COM	
SEISMIC BREAKAWAY HANGER (FORMERLY BREAKAWAY COUPLING)	
DRAWN BY: DKISH	DATE: 9/25/2018
APPROVED:	DATE:
SCALE: N/A	DRAWING NUMBER: SBH-4

METRAFLEX SEISMIC BREAKAWAY HANGER OPERATION, INSTALLATION, AND MAINTENANCE INSTRUCTIONS

General: The purpose of the Metraflex Seismic BreakAway Hanger is to support the flexible element of a seismic joint such as the Metraloop. During a seismic event, the Seismic BreakAway Hanger will break free allowing the seismic joint to freely move in its complete range of motion. After the seismic event, the Metraflex Seismic BreakAway Hanger can be simply reassembled.

Application: Each Metraflex Seismic BreakAway Hanger is factory set for a specific load and will be matched to a specific Metraloop or other seismic joint. The Metraflex Seismic BreakAway Hanger is installed in the hanger rod of the seismic joint. For the Metraloop product this will be located at the 180° return fitting. For Dog Leg products this will be at the 90° elbow. For large movement units, Seismic BreakAway Hangers may be required to support the flexible hose, see figure 4 and 4A.

Tethers: Tethers are used to prevent the seismic joint from over flexing and are included on all Seismic BreakAway Hangers.

Installation:

1. The Metraflex Seismic BreakAway Hanger should be installed as close to the seismic joint as possible. See figure 1.
2. Insure that the correct size Hanger has been selected for installation by reviewing the submittal.
3. The swivel eye bolt should be installed in the top position attached to rod or cable that complies with the contract documents. See figure 1 and 2.
4. A male thread is provided for connection to the seismic joint. See figure 1 and 2.
5. Apply the no step stickers provided with the Hanger to the pipe / insulation cover.

Caution:

1. When lifting from the flexible hose, never point load the hose during the installation process, always use a saddle. The hose consists of corrugated stainless steel hose and can be damaged.
2. The Seismic BreakAway Hanger is designed for a specific load based on the size and configuration of the seismic joint. People walking on the seismic joint or other outside loads on the devise can result in premature breaking of the coupling and should be avoided. No Step warning stickers have been provided with the Seismic BreakAway Hanger for larger pipe sizes.
3. When installing a seismic joint with multiple Seismic BreakAway Hangers, evenly lift the seismic device into place. Do not over flex the hose.

Testing:

Each Seismic BreakAway Hanger is factory tested prior to shipment. No field testing is necessary.

Maintenance:

The Metraflex Seismic BreakAway Hanger does not require maintenance and there are no serviceable parts. If the Hanger is ever pulled apart, for any reason, simply insert the pin back into the Hanger until it is bottomed out. For Hangers designed to support larger seismic connections a "C-clamp" may be required to push the pin for reassembly.



CUSTOMER: _____

PROJECT: _____

ENGINEER: _____

SEISMIC BREAKAWAY HANGER	
OPERATION, INSTALLATION, AND MAINTENANCE INSTRUCTIONS	
DRAWN BY: DKISH	DATE: 11/12/2015
APPROVED: JC	DATE: 11/12/2015
SCALE: N/A	DRAWING NUMBER: SBH-OIM 1 of 2

METRAFLEX SEISMIC BREAKAWAY HANGER OPERATION, INSTALLATION, AND MAINTENANCE INSTRUCTIONS

INSTRUCTIONS CONTINUED:

FIGURE 1

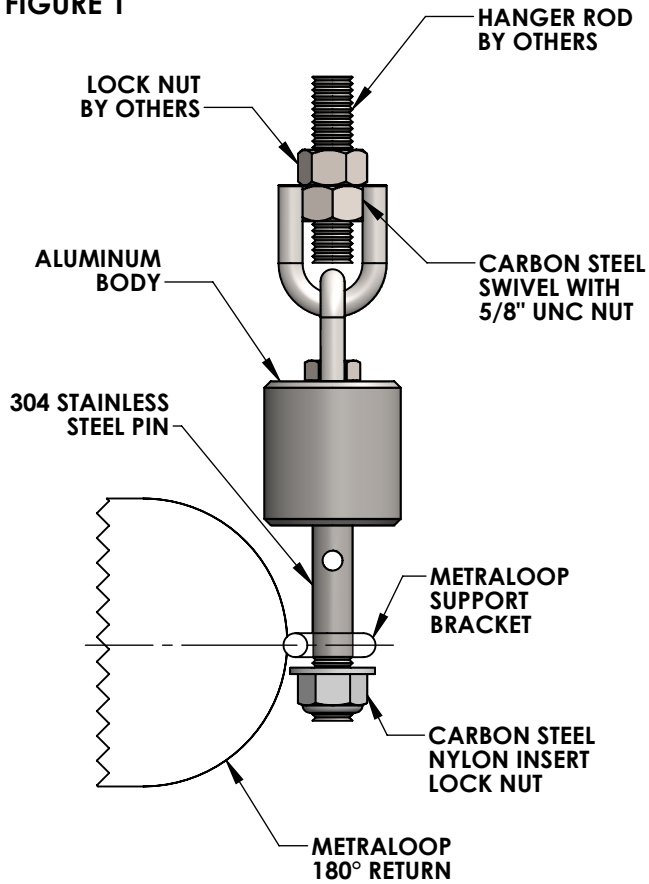


FIGURE 2

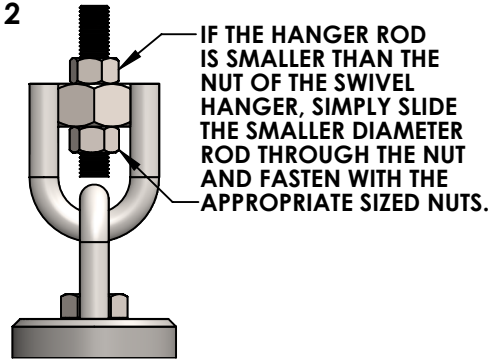


FIGURE 3

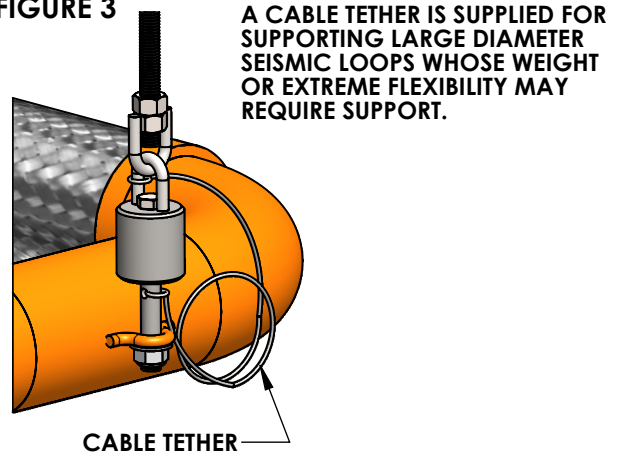


FIGURE 4

UNITS CAN ALSO BE USED WITH SADDLES TO PREVENT LONG FLEXIBLE LEGS ON LARGE LOOPS FROM SAGGING.

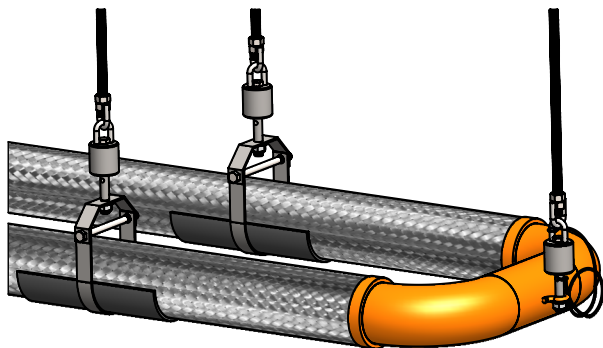
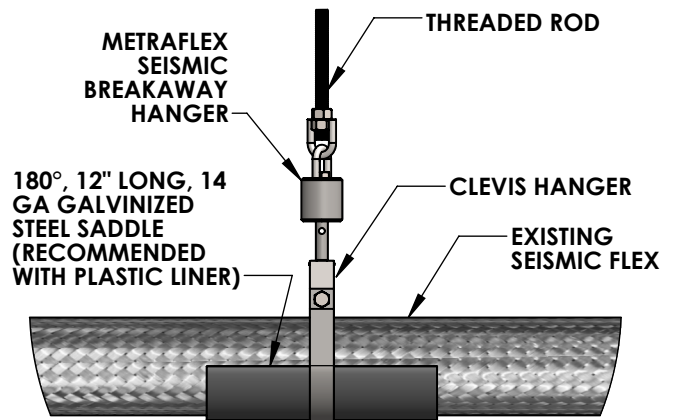


FIGURE 4A



Metraflex
for pipes in motion

2323 W. HUBBARD ST.
CHICAGO, IL 60612
TEL: 312-738-3800
FAX: 312-738-0415
WWW.METRAFLEX.COM

SEISMIC BREAKAWAY HANGER

OPERATION, INSTALLATION, AND MAINTENANCE INSTRUCTIONS

DRAWN BY: DKISH	DATE: 11/10/2015
APPROVED: JC	DATE: 11/11/2015
SCALE: N/A	DRAWING NUMBER: SBH-OIM 2 of 2

CUSTOMER: _____

PROJECT: _____

ENGINEER: _____